



AVK GATE VALVE, PE PIPE ENDS, PN16

36/89-002

Black/blue SDR11 PE100 pipes



AVK gate valves are designed with built-in safety in every detail. The wedge is fully vulcanized with AVK's own drinking water approved EPDM rubber compound. It features an outstanding durability due to the ability of the rubber to regain its original shape, the double bonding vulcanization process and the sturdy wedge design. The triple safety stem sealing system, the high strength stem and the thorough corrosion protection safeguard the unmatched reliability.

Product description:

Gate valve with PE100 PN16 SDR11 pipes with stem of SS1.4021. For water and neutral liquids to max. 20° C. Note: The maximum working temperature is set according to the ISO9080 lifetime requirements for PE pipes, and is therefore not the max. temperature for the valve.

Design standards:

- BS5163 Type B, EN 1074 part 1 & 2

Test/Approvals:

- Seat: 1.1 x PN (in bar), Body: 2 x PN (in bar). Operation torque test.
- Hydraulic test according to EN 1074-1 and 5/ EN12266
- Drinking Water Inspectorate Regulation 31 compliant

Features:

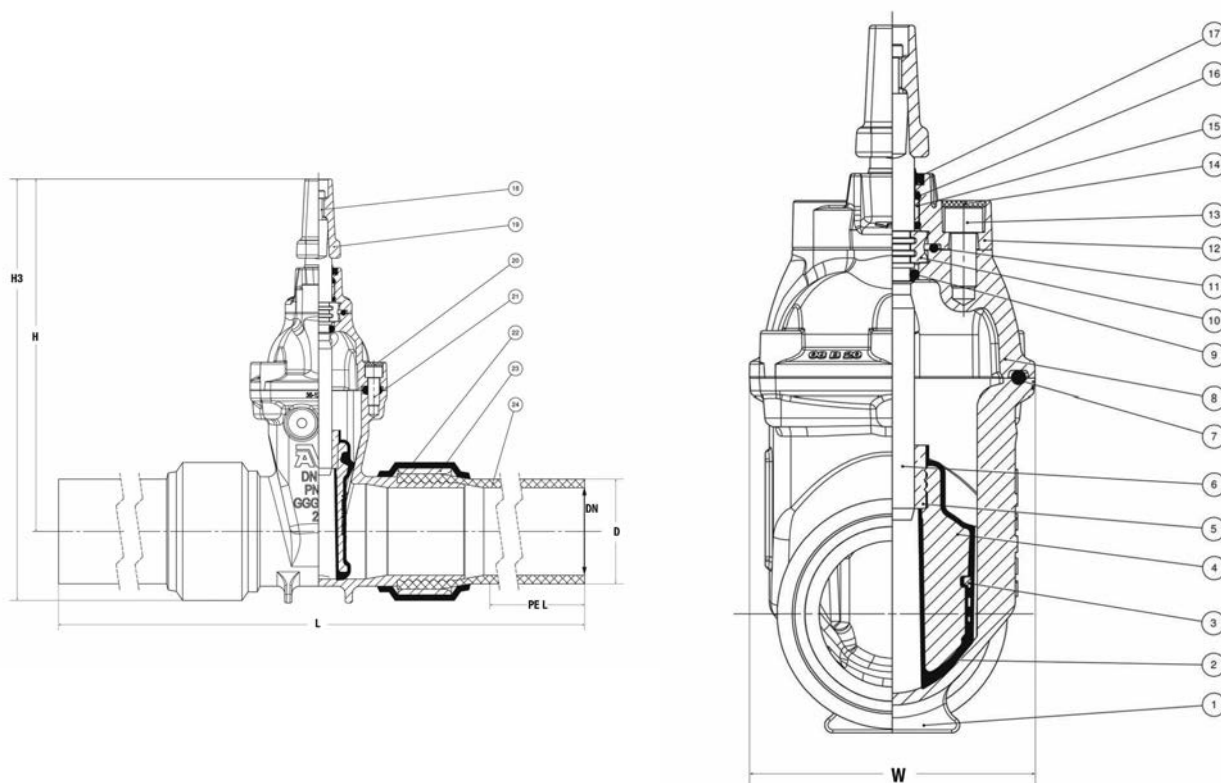
- Fixed integral wedge nut prevents vibration and ensures durability
- Wedge fully vulcanized with drinking water approved EPDM rubber and equipped with wedge shoes to provide smooth operation
- Stem of SS 1.4021 and rolled threads for high strength
- Full circle thrust collar provides fixation of the stem and low free running torques
- Triple safety stem sealing with an NBR wiper ring, a polyamide bearing
- Round EPDM bonnet gasket fixed in a recess
- Countersunk and sealed stainless steel bonnet bolts encircled by the bonnet gasket
- Full bore
- Low operating torque
- Fusion bonded epoxy coating in compliance with WIS 4.52.01 Class 3
- A standard PE pipe is pressed onto the grooved valve end, locked with a steel ring and sealed with a plastic shrink hose. The boltless, full bore PE end connection is tensile resistant and stronger than the PE pipe itself. The PE pipe end enables direct welding into PE pipes resulting in a fast and secure assembly.
- **Note:** For higher working temperatures than max. 20°C expect a reduction of the PE pipe's lifetime. Refer to the pipe manufacturer for further information

Accessories:

Handwheel, Extension spindles



Expect ... **AVR**



Component list:

1. Body	Ductile iron GJS-500-7	13. Bolt, socket head	Steel gr. 8.8
2. Wedge rubber	EPDM rubber	14. Seal	Hot melt glue
3. Wedge shoe	Polyamide	15. Bearing shell	Polyamide
4. Wedge core	Ductile iron GJS-450-10	16. O-ring	EPDM rubber
5. Wedge nut	Brass DZR CW602N	17. Wiper ring	NBR rubber
6. Stem	Stainless steel	18. Cap screw	Steel gr. 8.8
7. Bonnet gasket	EPDM rubber	19. Stem cap	Cast iron
8. Bonnet	Ductile iron GJS-500-7	20. Bolt cover	Hot melt glue
9. O-ring	EPDM rubber	21. Bolt	Steel gr. 8.8
10. Thrust collar	Brass DZR CW602N	22. Shrink hose	Neoprene
11. O-ring	EPDM rubber	23. Sleeve	Steel
12. Gland flange	Ductile iron GJS-500-7	24. Pipe	PE 100

Components may be substituted with equivalent or higher class materials without prior notification.

Reference nos. and dimensions:

AVK ref. no.	DN	Operating Direction	D	H	H3	L	PE Length	W	Theoretical weight/kg
	mm		mm	mm	mm	mm	mm	mm	
36-090-89-36326999	80	CTC	90	318	376	876	255	174	14
36-110-89-36326999	100	CTC	110	338	408	841	250	195	18
36-125-89-36326999	100	CTC	125	338	423	850	275	195	23
36-180-89-36326999	150	CTC	180	428	536	1009	265	274	36
36-225-89-36326999	200	CTC	225	515	649	1047	265	335	75
36-280-89-36326999	250	CTC	280	662	824	1328	365	422	123
36-315-89-36326987	300	CTC	315	740	925	1348	365	452	182